

BALL VALVES Draining Procedure for Freeze Protection

Ball valves should be drained for the winter in areas where freezing temperatures may occur. Water will become trapped between the ball and valve body if the valve is left in either the full open or full closed position. If water should freeze between the ball and valve body, damage to the ball valve will occur.

After draining procedures on the backflow prevention assembly have been completed, all ball valves must be left in a half open / half closed (45° degree) position as shown in Figure A. Open the ball valve approximately 45° degrees while draining the pipeline and assembly to allow water between the ball and valve body to drain as shown in Figure B. Leave the ball valve in this position for the winter to prevent freeze damage.

The valve must be closed before the system can be repressurized.

NOTE: Open and close ball valves slowly at all times to prevent damage to the system.

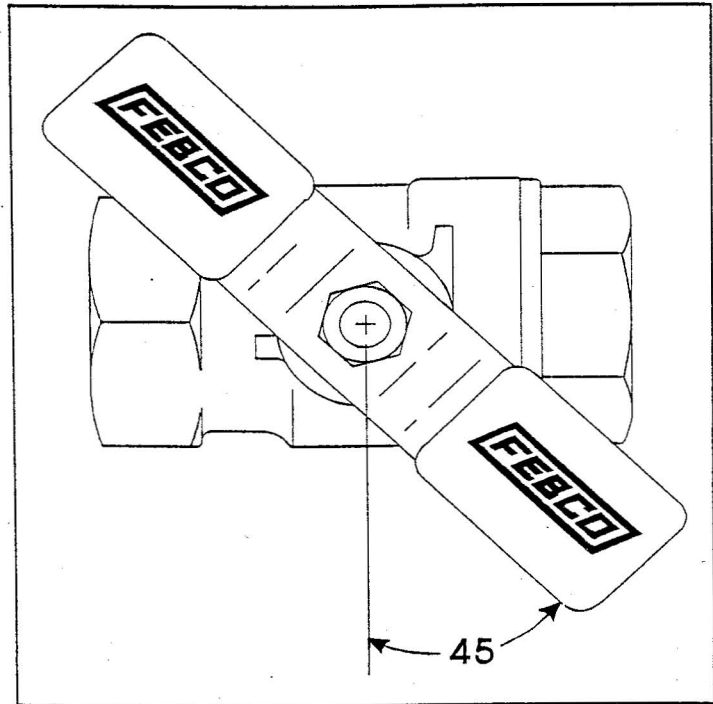


Figure A: Ball Valve in half open/half closed
45° degree position

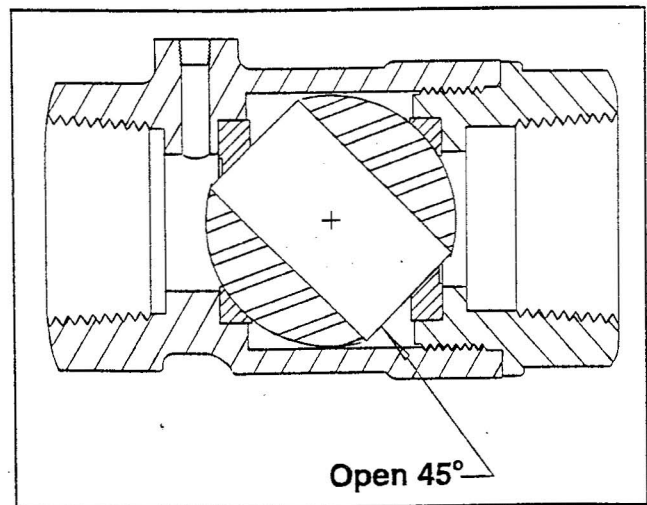


Figure B: Cutaway drawing displaying ball valve
in half open/half closed position